

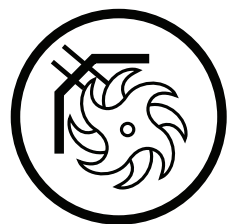
532 44 45-39



Repair Parts Manual IPL Manual

CRT900L/96093002100

Please read the operator's manual carefully and make sure you understand the instructions before using the machine.
Lisez très attentivement et soyez certain de comprendre ces instructions avant d'utiliser cette machine.

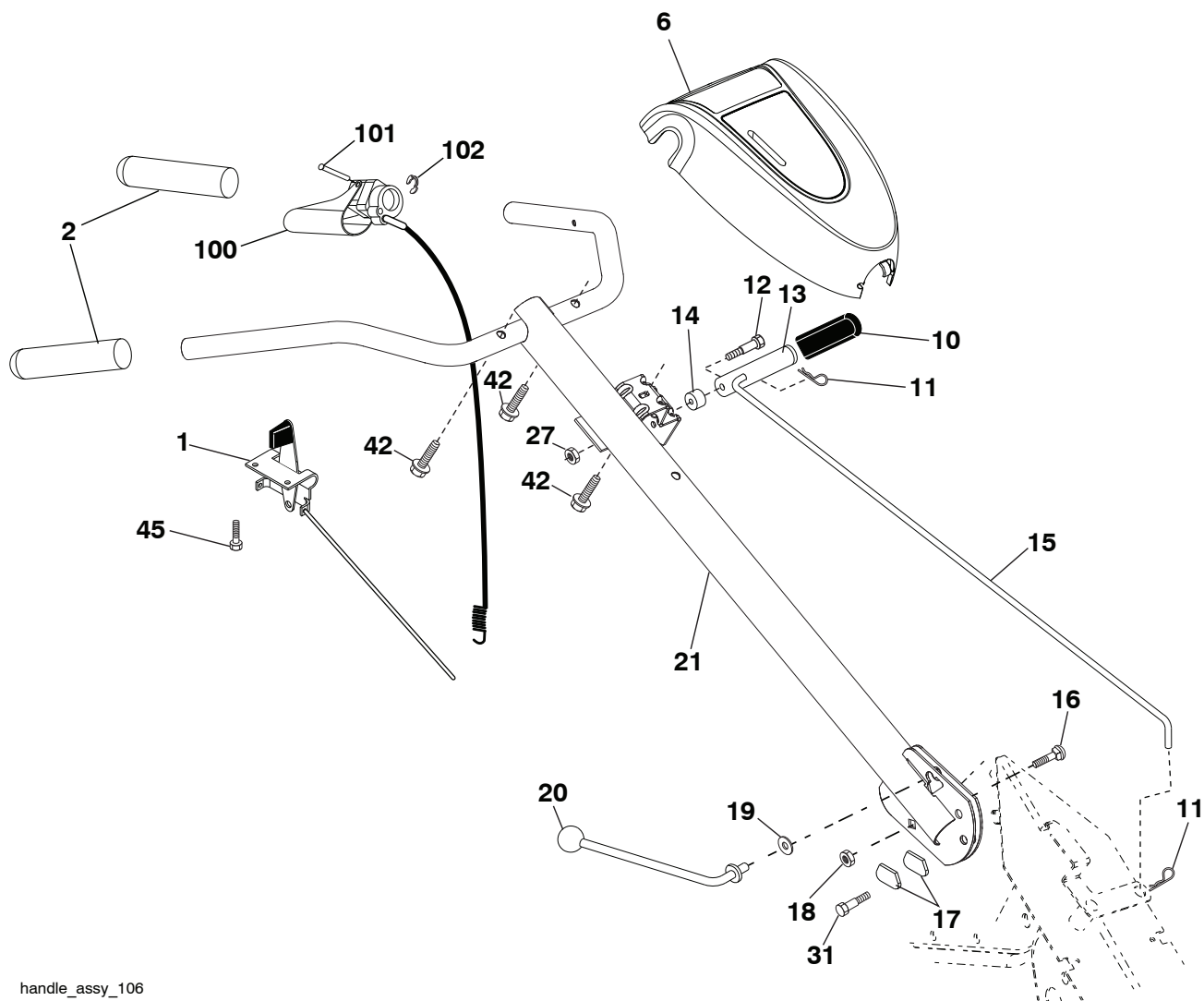


English

REPAIR PARTS

TILLER - - MODEL NUMBER CRT900 (96093002100), PRODUCT NUMBER 960 93 00-21

HANDLE ASSEMBLY



handle_assy_106

KEY NO.	PART NO.	DESCRIPTION
---------	----------	-------------

1	532 18 94-82	Throttle Control
2	532 42 76-43	Grip, Handle
6	532 44 60-69	Console
10	532 12 47-97	Grip, Handle
11	532 12 47-88	Clip, Hairpin
12	532 08 13-28	Bolt, Shoulder
13	532 18 74-97	Handle, Shift
14	532 10 93-13	Grommet, Rubber
15	532 10 93-37	Rod, Shift
16	872 11 06-08	Bolt, Carriage 3/8-16 x 1 Gr. 5
17	532 10 92-29	Lock, Handle
18	873 68 06-00	Nut, Crownlock 3/8-16 unc
19	819 13 16-11	Washer 13/32 x 1 x 11 Ga.
20	532 10 92-28	Lever, Lock, Handle

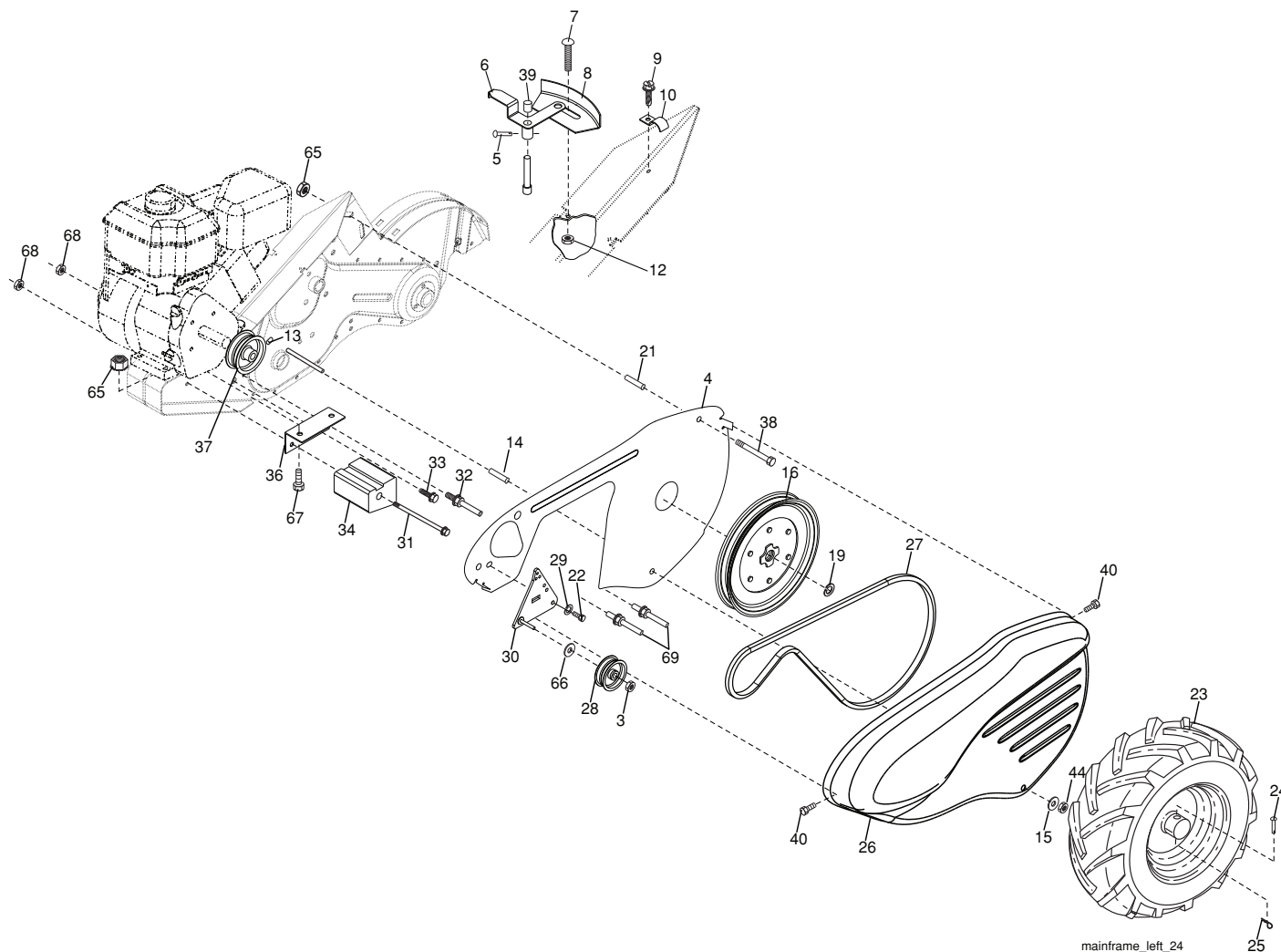
KEY NO.	PART NO.	DESCRIPTION
---------	----------	-------------

21	532 44 61-56	Handle
27	873 90 04-00	Nut, Hex Flange 1/4-20 unc
31	532 15 06-96	Bolt, Pivot
42	532 41 63-58	Screw #10 x .750
100	532 19 31-33	Control Asm. Tine
101	532 18 85-55	Pin Pivot Groove
102	812 00 00-59	Retaining Ring
103	532 42 17-56	Screw #10 x .500

NOTE: All component dimensions given in U.S. inches.
1 inch = 25.4 mm

REPAIR PARTS

TILLER - - MODEL NUMBER CRT900 (96093002100), PRODUCT NUMBER 960 93 00-21
MAINFRAME, LEFT SIDE



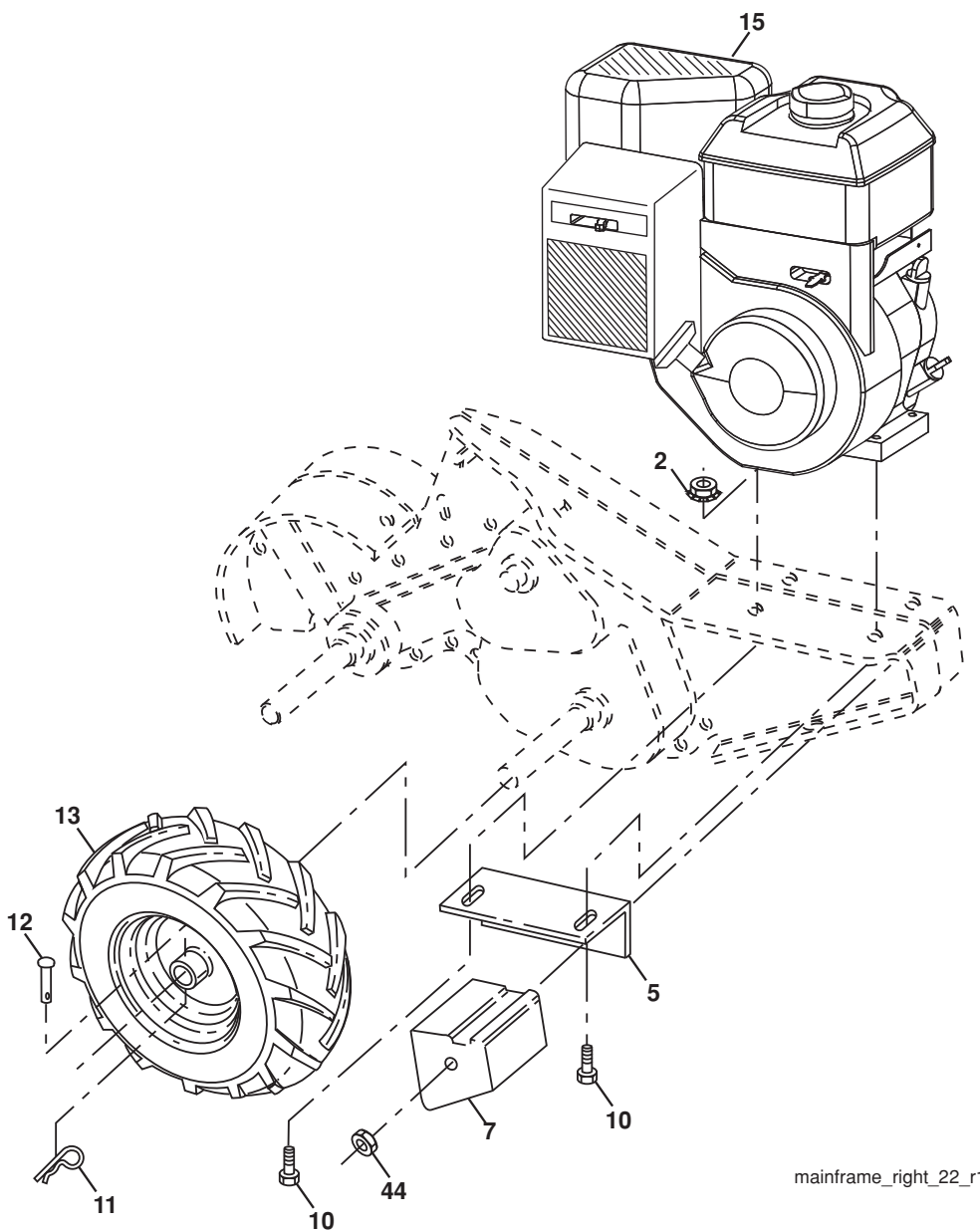
KEY NO.	PART NO.	DESCRIPTION
3	873 22 06-00	Nut, Hex 3/8-16
4	532 43 24-20	Shield, Inner Belt Guard RT
5	532 16 43-29	Pin Spirol Flared
6	532 11 01-11	Lever, Shift
7	872 11 04-04	Bolt, Carriage 1/4-20 x 1/2 Gr. 5
8	532 00 87-00	Plate, Shift Indicator
9	532 08 67-77	Screw, Hex, Washer Head, Slotted #10-24 x 1/2
10	532 00 94-84	Clip
12	873 51 04-00	Nut, Keps Hex 1/4-20 unc
13	823 23 05-06	Screw, Set, Hex 5/16-18 x 3/8
14	532 11 06-52	Spacer, Split 0.327 x 0.42 x 2.09
15	819 11 11-16	Washer 11/32 x 11/16 x 16 Ga.
16	532 14 51-02	Sheave, Transmission
19	812 00 00-28	Retainer, Ring
21	532 15 61-17	Spacer, Split
22	874 77 05-08	Bolt, Fin Hex 5/16-24 unf x 1/2
23	532 00 50-15	Tire
	532 12 43-66	Rim
	532 12 47-18	Tire Valve
24	532 12 68-75	Rivet, Drilled
25	532 12 47-88	Clip, Hairpin
26	532 44 04-38	Guard, Belt

KEY NO.	PART NO.	DESCRIPTION
27	532 13 28-01	Belt, V
28	532 10 46-79	Pulley, Idler
29	812 00 00-32	Ring, Klip
30	532 15 92-29	Bracket, Idler
31	532 10 23-84	Bolt Fin Hex 3/8-16 unc x 12
32	532 10 21-41	Shaft, Idler Arm
33	874 76 06-16	Bolt, Hex 3/8-16 x 1
34	532 10 21-73	Counterweight
36	532 10 23-31	Bracket, Reinforcement, L. H.
37	532 13 08-12	Sheave, Engine
38	874 76 05-44	Bolt, Fin Hex 5/16-18 unc x 2-3/4
39	532 14 00-62	Cap, Plunger Blk
40	532 17 04-88	Screw Hex Wsh Slit #10-24 x 1/2
44	873 80 05-00	Nut Lock Hex w/Ins 5/16-18 unc PL
65	873 97 05-00	Nut Lock Hex Flange
66	819 13 13-12	Washer 13/32 x 13/16 x 12 Ga.
67	874 76 05-24	Bolt, Hex 5/16-18 x 1-1/2
68	873 51 06-00	Nut, Keps Hex 3/8-16 unc
69	532 16 41-73	Keeper Belt Engine

NOTE: All component dimensions given in U.S. inches.
1 inch = 25.4 mm

REPAIR PARTS

TILLER - - MODEL NUMBER CRT900 (96093002100), PRODUCT NUMBER 960 93 00-21
 MAINFRAME, RIGHT SIDE



mainframe_right_22_r1

KEY NO.	PART NO.	DESCRIPTION
2	873 97 05-00	Locknut, Hex, Flange 5/16-18
5	532 10 23-32	Bracket, Reinforcement RH
7	532 10 23-83	Counter Weight
10	874 76 05-24	Bolt, Hex 5/16-18 x 1-1/2
11	532 12 47-88	Clip, Hairpin
12	532 12 68-75	Rivet, Drilled
13	532 00 50-15	Tire
	532 12 43-66	Rim
	532 12 47-18	Tire Valve

KEY NO.	PART NO.	DESCRIPTION
15	-----	Engine, Briggs & Stratton Model No. 12T402-0124-F8 (446492)(Order parts from Engine Manufacturer.)
44	873 51 06-00	Nut, Keps Hex 3/8-16 unc

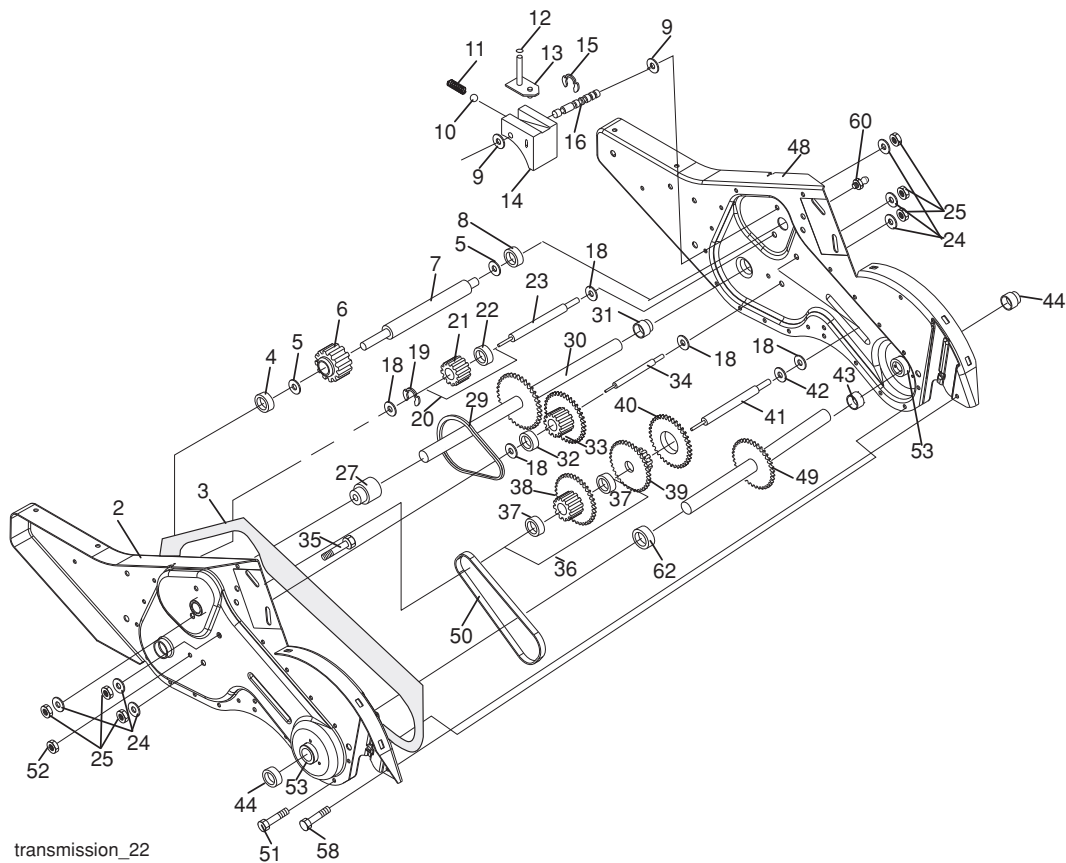
NOTE: All component dimensions given in U.S. inches
 1 inch = 25.4 mm

For engine service and replacement parts, call the toll free number for your engine manufacturer listed below:

Briggs & Stratton 1-800-233-3723

REPAIR PARTS

TILLER - - MODEL NUMBER CRT900 (96093002100), PRODUCT NUMBER 960 93 00-21
TRANSMISSION



transmission_22

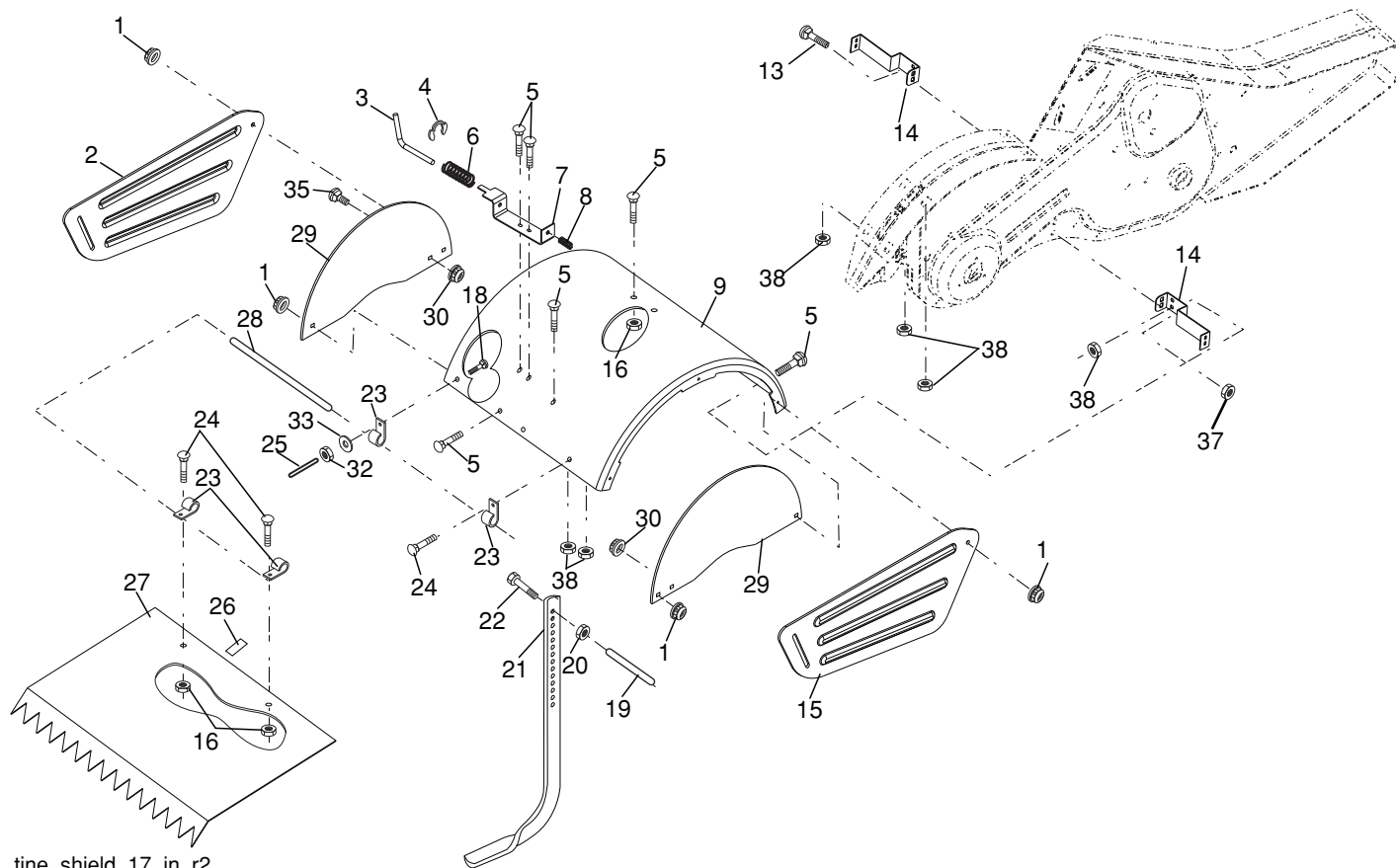
KEY NO.	PART NO.	DESCRIPTION	KEY NO.	PART NO.	DESCRIPTION
1	532 18 85-54	Transmission Assembly (Includes Key Nos. 2-53)	31	532 14 30-08	Bearing, Shaft, Ground Drive R.H.
2	532 18 84-82	Gearcase, L.H. w/Bearing (Includes Key No. 4)	32	532 10 63-88	Spacer 0.70 x 1.00 x 1.150
3	532 43 10-22	Gasket, Gearcase	33	532 10 21-21	Sprocket and Gear Assembly
4	532 00 50-20	Bearing, Needle	34	532 10 21-12	Shaft, Reduction (2nd)
5	532 00 13-70	Washer, Thrust 5/8 x 1.10 x 1/32	35	532 10 21-01	Screw, Whiz, Lock 5/16-18 x 3-1/2
6	532 13 73-35	Pinion, Input	36	532 15 43-55	Sprocket Assembly w/Bearing (Includes Key Nos. 37 and 38)
7	532 14 51-01	Shaft, Input	37	532 12 47-91	Bearing, Needle
8	532 12 47-92	Bearing, Needle	38	532 15 43-56	Sprocket, Tine
9	532 15 44-67	Washer, Seal	39	532 10 53-45	Gear, Cluster, Red 1st & 2nd
10	532 12 46-97	Ball, Steel	40	532 10 53-46	Gear, Reverse
11	532 10 03-71	Spring, Shift, Fork	41	532 00 83-58	Shaft, Reduction (1st)
12	532 10 61-60	O-Ring	42	532 00 42-20	Washer, Thrust
13	532 14 21-45	Arm, Shift	43	532 10 61-46	Spacer 1.01 x 1.75 x 0.760
14	532 00 83-53	Fork, Shift	44	532 15 52-36	Seal Asm, Oil
15	812 00 00-39	Ring, Klip	48	532 18 84-85	Gearcase, R.H. w/Bearing (Includes Key No. 8)
16	532 15 44-66	Shaft, Shift	49	532 43 14-85	Shaft, Tine
18	532 00 43-58	Washer	50	532 10 61-47	Chain, Roller #50-50 Pitch
19	812 00 00-40	Ring, Klip	51	817 72 04-08	Screw 1/4-20 x 1/2
20	532 10 21-14	Gear, Assembly, Reverse Idler (Includes Key Nos. 21 and 22)	52	873 22 05-00	Nut, Hex 5/16-18
21	532 10 21-15	Gear, Reverse Idler	53	532 16 51-40	Kit, Bearing
22	532 00 68-03	Bearing, Needle	58	532 17 95-20	Bolt Shoulder 1/4-20 unc x .875
23	532 10 21-11	Shaft, Reverse Idler	60	532 18 32-26	Fitting Grease
24	810 04 07-00	Washer, Lock 7/16	62	532 43 10-15	Spacer
25	873 61 07-00	Nut, Hex 7/16-20	--	532 00 60-66	Grease, Plastilube #1
27	532 43 12-19	Bearing, Shaft, Ground Drive L.H.			
29	532 10 21-34	Chain #35-50 Pitch			
30	532 15 07-37	Ground Shaft Assembly			

NOTE: All component dimensions given in U.S. inches.
1 inch = 25.4 mm

REPAIR PARTS

TILLER - - MODEL NUMBER CRT900 (96093002100), PRODUCT NUMBER 960 93 00-21

TINE SHIELD



tine_shield_17_in_r2

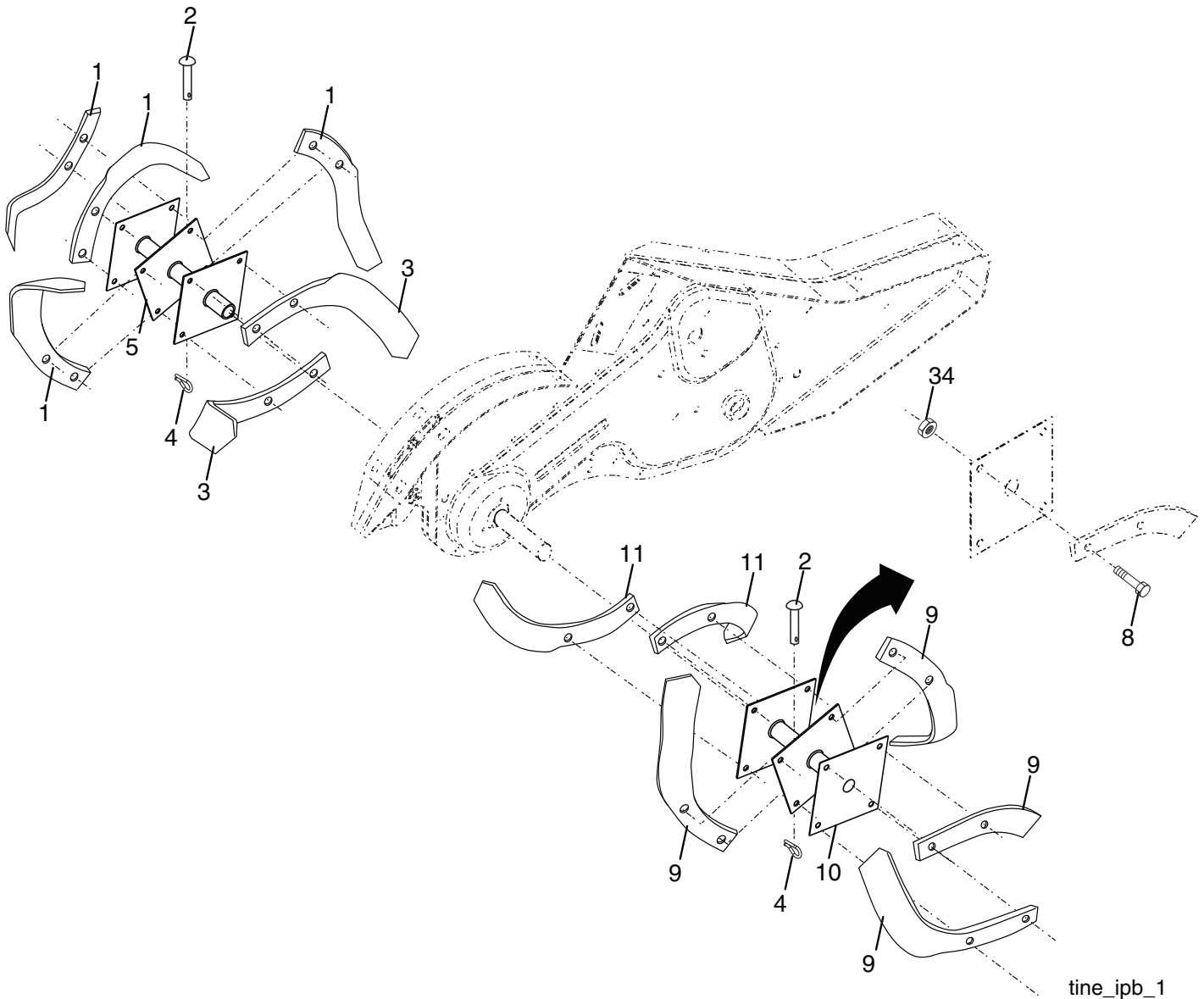
KEY NO.	PART NO.	DESCRIPTION
1	873 90 05-00	Nut, Lock Hex Flange 5/16-18
2	532 44 04-52	Shield Side Outer LH
3	532 00 83-93	Pin, Stake, Depth
4	812 00 00-35	Ring, Klip
5	532 18 08-47	Bolt, Rdhd Sqnk 5/16-18 x 3/4
6	532 00 83-94	Spring
7	532 00 83-92	Bracket, Latch
8	532 10 92-30	Spring, Depth Stake
9	532 44 62-01	Shield, Tine
13	872 11 05-10	Bolt, Carriage 5/16-18 x 1-1/4
14	532 12 43-11	Bracket, Shield Tine
15	532 44 04-50	Shield Side Outer RH
16	873 90 04-00	Nut, Hex Flange 1/4-20 unc
18	872 04 04-10	Bolt, Carriage 1/4-20 x 1-1/4 Gr.
19	532 10 27-01	Grip
20	873 22 06-00	Nut, Hex 3/8-16
21	532 10 21-56	Stake, Depth
22	874 93 06-32	Bolt, Hex 3/8-16 x 2

KEY NO.	PART NO.	DESCRIPTION
23	532 00 44-40	Hinge
24	872 14 04-04	Bolt, Carriage 1/4-20 x 1/2 Gr. 5
25	532 12 47-17	Cap, Vinyl
26	532 10 92-27	Pad, Idler
27	532 44 04-48	Shield, Leveling
28	532 12 05-88	Pin, Hinge
29	532 44 04-49	Shield, Side
30	873 97 05-00	Nut Lock Hex Flange
32	873 22 04-00	Nut Fin Hex 1/4-20 unc
33	810 04 04-00	Washer Lock Hvy Helical 1/4
35	872 11 05-05	Bolt 5/16-18 x 5/8
37	873 80 05-00	Nut Lock 5/16-18 unc
38	873 51 05-00	Nut, Keps Hex 5/16-18 unc

NOTE: All component dimensions given in U.S. inches.
1 inch = 25.4 mm

REPAIR PARTS

TILLER - - MODEL NUMBER CRT900 (96093002100), PRODUCT NUMBER 960 93 00-21
TINE ASSEMBLY



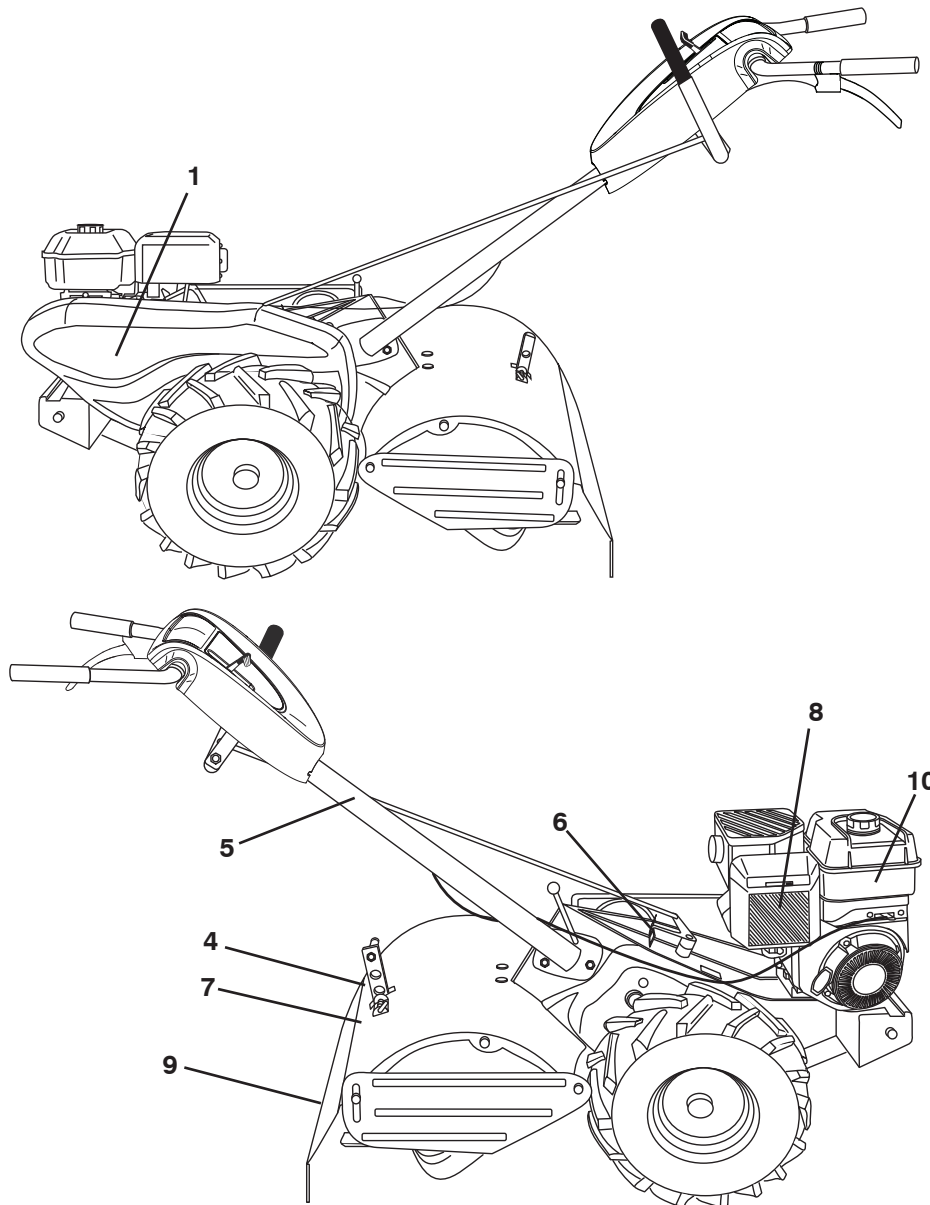
KEY NO.	PART NO.	DESCRIPTION
1	532 00 44-59	Tine, Outer, L.H.
2	532 13 26-73	Clevis Pin
3	532 00 65-54	Tine, Inner, L.H.
4	532 12 46-60	Retainer, Spring Zinc
5	532 13 27-27	Assembly, Hub and Plate, L.H.
8	874 61 06-16	Bolt, Hex 3/8-24 x 1
9	532 00 44-60	Tine, Outer, R.H.

KEY NO.	PART NO.	DESCRIPTION
10	532 13 27-28	Assembly, Hub and Plate, R.H.
11	532 00 65-55	Tine, Inner, R.H.
34	873 54 06-00	Nut Crownlock 3/8-24

NOTE: All component dimensions given in U.S. inches.
1 inch = 25.4 mm

REPAIR PARTS

TILLER - - MODEL NUMBER CRT900 (96093002100), PRODUCT NUMBER 960 93 00-21
DECALS



KEY NO.	PART NO.	DESCRIPTION
1	532 42 91-96	Decal, Belt Guard Badge
4	532 44 23-04	Decal, Tine Shield
5	532 11 06-14	Decal, Hand Placement
6	532 10 21-80	Decal, Shift Indicator
7	532 42 29-72	Decal, Warning
8	532 43 22-78	Decal, Engine, AC
9	532 12 00-76	Decal, Warning, Rotating Tines
10	532 40 91-43	Decal, Engine, Fuel Tank
--	532 44 45-38	Operator's Manual (English/French)
--	532 44 45-39	Parts's Manual (English/French)